



CTSHY013.2

Hyundai Steering Wheel Control Interface



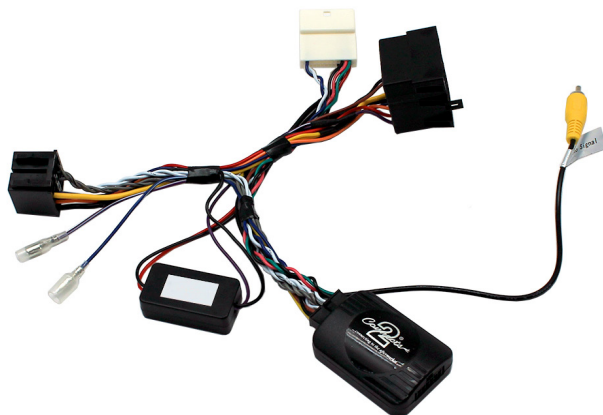
Plug and Play



USB Updateable



Works with
CAN-Bus



INSTRUCTION MANUAL

www.connects2.com

Designed and
Engineered
in the UK. 

CTSHY013.2

Hyundai steering wheel control interface for Hyundai vehicles with CAN-Bus.

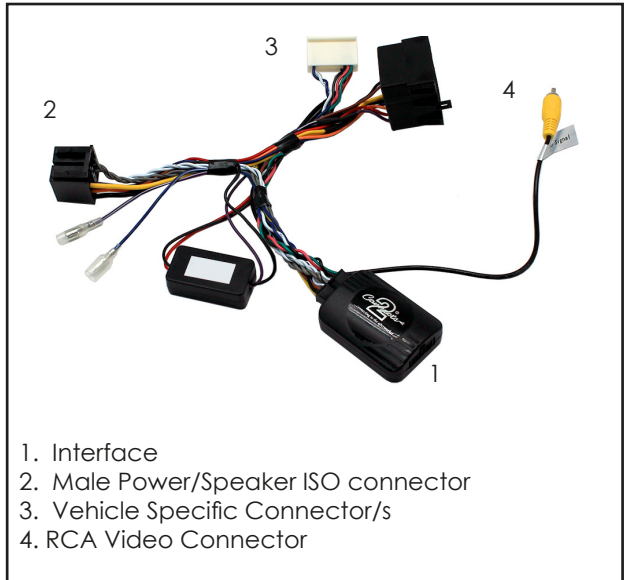
Product Contents

- Interface
- Harness
- Instruction

Application

Hyundai ix35 2010 - 2015

For Vehicles with OEM
Navigation, Amplifier, and
Camera



Prior to installation

Read the manual prior to installation. Technical knowledge is necessary for installation. The place of installation must be free of moisture and away from heat sources. Please ensure you use the correct tools to avoid damage to the vehicle or product.

Connects2 can not be held responsible for the installation of this product.

Technical Support

Connects2 want to provide a fast and suitable resolution should you encounter any technical issues. With this in mind, when contacting Connects2, try to provide as much information as possible. This will speed up the process and help us to help you.

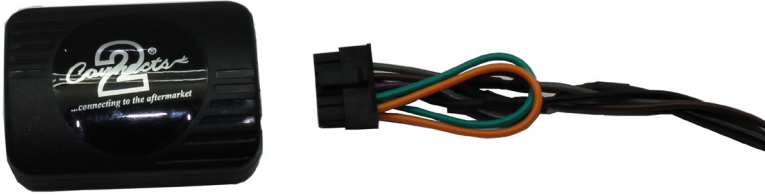
Please use our dedicated online technical support centre: support.connects2.com



Subscribe to our YouTube Channel for installation guides and tips... www.youtube.com/connects2

FITTING GUIDE

1. Remove and disconnect the original head unit.
2. Connect the 12 way molex connector of the head unit patch lead (supplied separately) to the interface.



3. Connect the opposite end of head unit patch lead to the head unit steering wheel control input on the back of the aftermarket head unit. This may be a 3.5mm jack plug or a wire input depending upon the head unit brand being fitted. Please see the head unit installation manual for further information on where to connect.

Important Note: This step must be completed before connecting power to the interface. Failure to do so may result in no steering wheel control function.

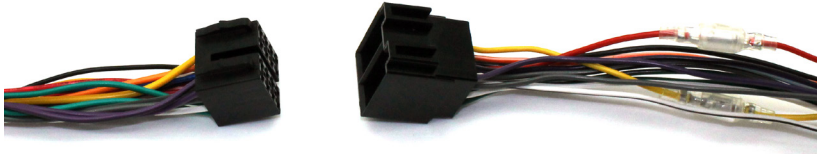


4. Connect the 14 way molex connector to the interface.



FITTING GUIDE

5. Connect the male power/speaker ISO harness to the female power/speaker ISO harness from the aftermarket head unit.



For aftermarket head units which do not have an ISO connector the interface uses the following wiring colours:

| Wire Colour | Function |
|-------------|----------------|
| Yellow | Permanent 12V |
| Black | Ground |
| Red | 12V Ignition |
| Orange | Illumination |
| Blue | Antenna Remote |
| Pink | Speed Pulse |
| Green | Park Brake |
| Purple | Reverse |

| Wire Colour | Function |
|--------------|-----------------------|
| Purple | Right Rear Speaker + |
| Purple/Black | Right Rear Speaker - |
| Green | Left Rear Speaker + |
| Green/Black | Left Rear Speaker - |
| Grey | Right Front Speaker + |
| Grey/Black | Right Front Speaker - |
| White | Left Front Speaker + |
| White/Black | Left Front Speaker - |

6. Connect the female vehicle specific connectors to the male vehicle connectors.

7. Attach the yellow 'Video Signal' RCA connector to the Video Output port on the head unit to retain the reverse camera and test head unit for correct operation.

8. Steering Wheel Control Functions

